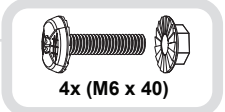
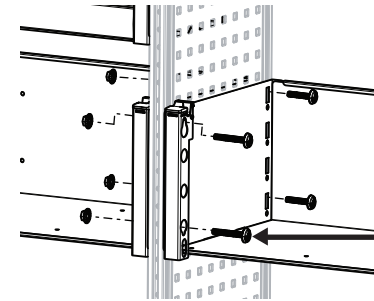
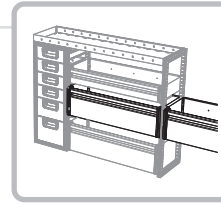
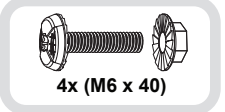
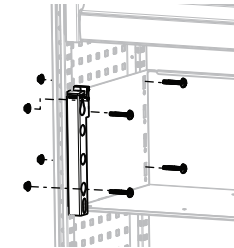
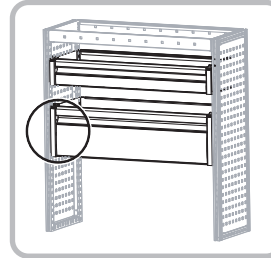


2b

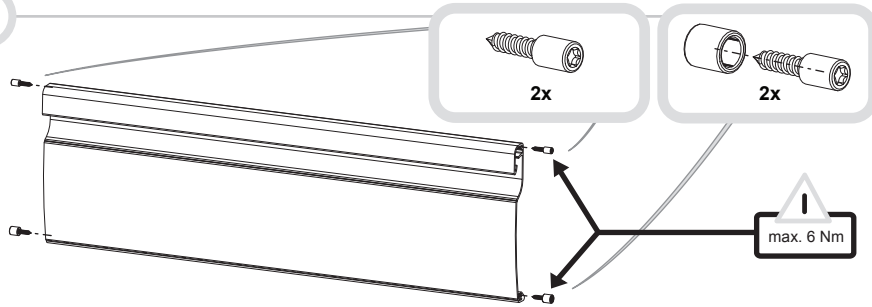


max. 6 Nm

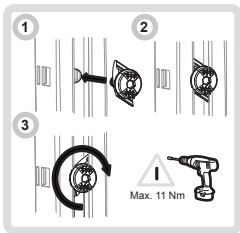
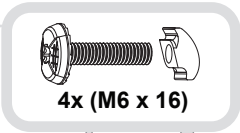
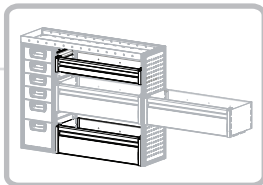
2c



1



2a



3

